

Additional Information for Using Sony Wall-Hanging Bracket (SU-WH500)

Compatible TV models for this Wall-Hanging Bracket information:

XBR-55HX929/55HX927/55HX925/55HX920/46HX929

KDL-55HX827/55HX825/55HX820/46HX820

KDL-60NX720/55NX720/46NX727/46NX725/46NX720/40NX727/40NX725/40NX720

For product protection and safety reasons, Sony strongly recommends that you use the Wall-Hanging Bracket model designed for your TV and that the wall-hanging of your TV is performed by Sony dealers or licensed contractors.

To Customers

Please provide your licensed contractor with this installation supplement as well as the instructions (supplied with the SU-WH500 Wall-Hanging Bracket). Read these documents carefully for safety and proper installation.

To Sony Dealers and Contractors

Provide full attention to safety during the installation, periodic maintenance and examination of this product.

Sufficient expertise is required in installing this product, especially to determine the strength of the wall for withstanding the TV's weight. Be sure to entrust the attachment of this product to the wall to Sony dealers or licensed contractors and pay adequate attention to safety during the installation. Sony is not liable for any damage or injury caused by mishandling or improper installation.

For proper installation, follow your wall-hanging bracket instructions and the directions below.

Installing the Wall-Hanging Bracket

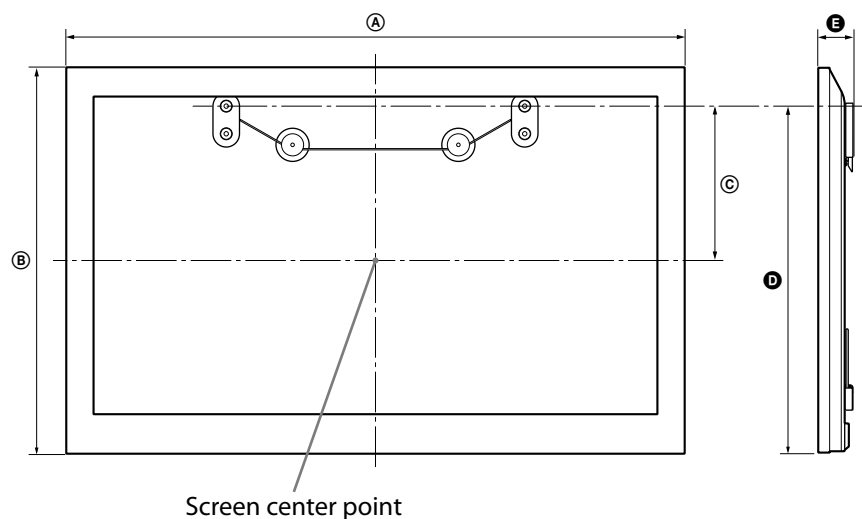
Refer to the Instructions supplied with the SU-WH500 Wall-Hanging Bracket to properly carry out the installation.

Open the Wall-Hanging Bracket package and check for all the required parts along with the Instructions.

1 Decide where you want to install your TV.

- ① Make a mark on the Paper Template supplied with the Wall-Hanging Bracket that indicates the screen center of your TV, referring to the Screen center dimension © in “Dimensions Table” at figure below.
- ② Decide on the installation location, referring to your TV’s dimension and the screen center mark on the Paper Template, and tape the Paper Template to the wall.

Dimension Table



Unit: inches (mm)*2

Model Name	Ⓐ	Ⓑ	Ⓒ	Ⓓ	Ⓔ
XBR-55HX92□*1	50 ³ / ₈ (1,278)	30 ³ / ₈ (771)	11 ⁷ / ₈ (299)	27 ¹ / ₂ (696)	2 ³ / ₈ (58)
XBR-46HX92□*1	42 ⁵ / ₈ (1,081)	26 (660)	9 ⁵ / ₈ (243)	23 ¹ / ₈ (585)	2 ³ / ₈ (58)
KDL-55HX82□*1	50 ¹ / ₂ (1,280)	30 ¹ / ₂ (774)	11 ³ / ₄ (297)	27 ³ / ₈ (695)	1 ⁵ / ₈ (41)
KDL-46HX82□*1	42 ³ / ₄ (1,083)	26 ¹ / ₈ (663)	9 ⁵ / ₈ (242)	23 ¹ / ₈ (586)	1 ⁵ / ₈ (41)
KDL-60NX72□*1	55 ³ / ₈ (1,405)	33 ¹ / ₄ (844)	12 ⁷ / ₈ (327)	30 (761)	1 ³ / ₄ (43)
KDL-55NX72□*1	50 ¹ / ₂ (1,281)	30 ¹ / ₂ (774)	11 ³ / ₄ (297)	27 ³ / ₈ (695)	1 ⁵ / ₈ (41)
KDL-46NX72□*1	42 ³ / ₄ (1,084)	26 ¹ / ₈ (663)	9 ⁵ / ₈ (242)	23 ¹ / ₈ (586)	1 ⁵ / ₈ (41)
KDL-40NX72□*1	37 ³ / ₈ (949)	23 ¹ / ₈ (587)	8 ¹ / ₈ (205)	20 ¹ / ₈ (511)	1 ⁵ / ₈ (41)

*1 In the actual model names, the “□” indicates numbers and/or characters specific to each model.

*2 The measurement unit for the Paper Template supplied with the Wall-Hanging Bracket is in millimeters.

Figures in the above table may differ slightly depending on the installation.

CAUTION

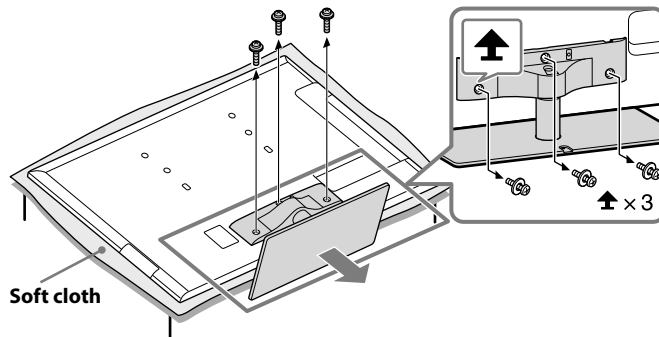
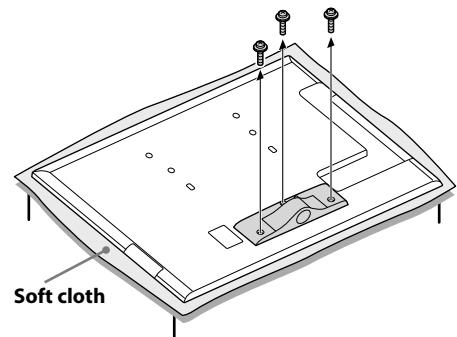
The wall that the TV will be installed on should be capable of supporting a weight of at least four times that of the TV. Refer to your TV's operating instructions for its weight.

2 Install the Wire Bracket on the wall.

Refer to the Instructions for SU-WH500.

3 Disconnect all the cables from the TV.**4 Detach the Table-Top Stand from the TV.**

Remove the screws indicated by the arrow marks  on the TV.

Table-Top Stand attached to TV.**Table-Top Stand not attached to TV.**

- Do not remove the Table-Top Stand for any reason other than to install corresponding accessories on the TV.
- When removing the Table-Top Stand from the TV, lay the TV face down on a stable work surface that is larger than the TV.
- To prevent damaging the surface of the TV, make sure to place a soft cloth on the work surface.
- When lifting or moving the TV, keep a soft cloth underneath to prevent damage.
- The number and position of the screws on the rear of the TV differs, depending on the model of TV; be sure to read the operating instructions of your TV.
- Be sure to remove the joint when the Table-Top Stand is not attached to the TV.
- Be sure the TV is in a vertical position before turning it on. The TV set must not be powered on with the LCD panel face down to avoid uneven picture uniformity.

CAUTION

- If pressure or shock is applied to the surface of the TV, the TV may break or become damaged.
- Lay the TV face down on a stable and level surface with the Table-Top Stand hanging over the edge of the surface. Having the TV face and the base of the Table-Top Stand on the same level surface will create an unstable working condition and can damage the TV.
- When detaching the Table-Top Stand from the TV, hold the Table-Top Stand securely with both hands.

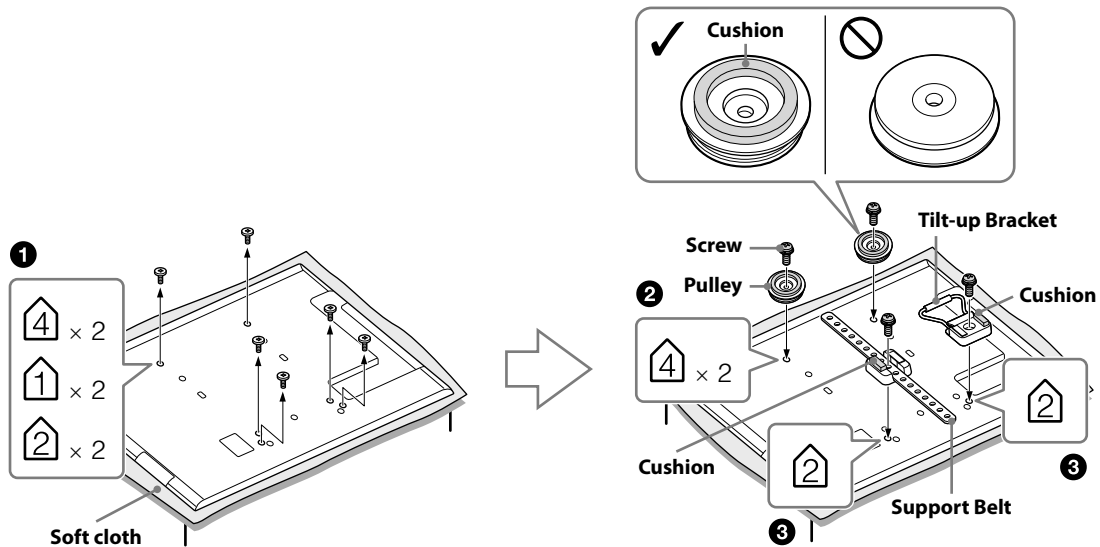
5

Attach the other items supplied with the Wall-Hanging Bracket and cables.

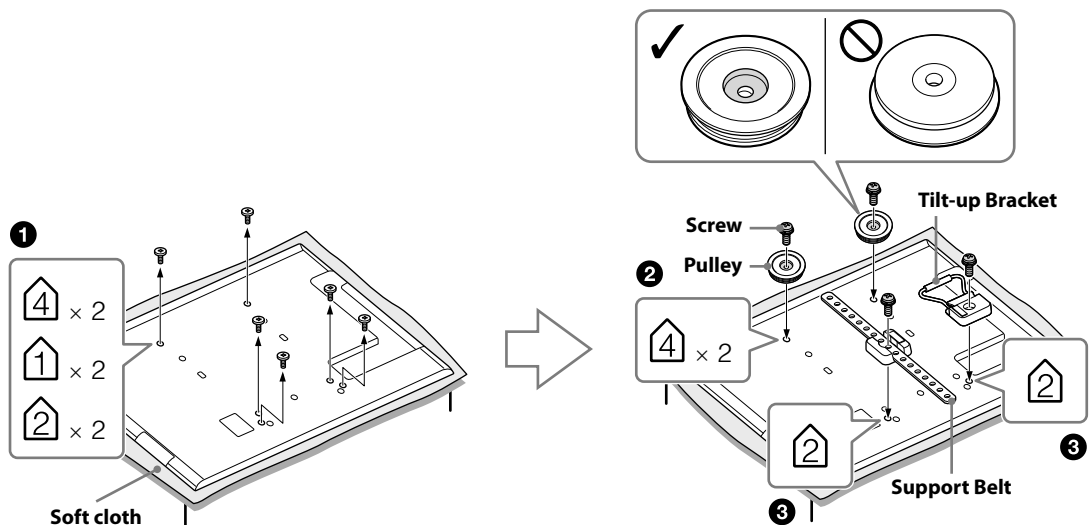
* In the actual model names, the "□" indicates numbers and/or characters specific to each model.

- ❶ Remove the screws from the rear of the TV. (They are fastened in the screw holes for wall mounting.) Be sure to store the removed screws in a safe place, keeping them away from children.
- ❷ Attach the Pulleys to the upper two screw holes (see illustration below) using screws supplied with SU-WH500.
- ❸ Attach the Tilt-up Bracket and the Support Belt.

For XBR-55HX92□*, 46HX92□*



For KDL-55HX82□*, 46HX82□*, 60NX72□*, 55NX72□*, 46NX72□*, 40NX72□*



- It is unnecessary to attach the Cushions supplied with SU-WH500. (❸-1 in "Installation" of SU-WH500 Instructions)

- ❹ Connect the cables.

6**Install the TV on the wall.**

Refer to the Instructions for SU-WH500.

Make sure that you carry out this task with at least two or three people.

Do not attempt to lift the TV by yourself.

For holding and carrying the TV, refer to your TV's instructions.



- When you put the TV back on the Table-Top Stand, reverse the above steps.
- Available TV models vary depending on the country/region.
- The availability of this Wall-Hanging Bracket (SU-WH500) varies depending on the country/region.