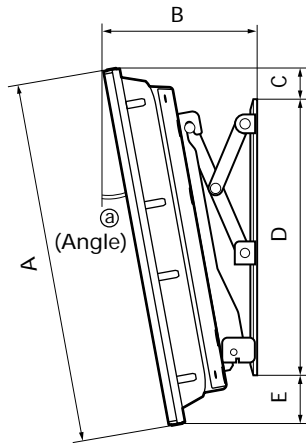


## Precautions to be taken when making holes in the wall for the cables

(supplementary instruction for step 4)

Be careful when you make holes near the Plate Unit to feed the cables into the wall, those holes may be visible after you mount the display.

## Specifications



KLV30XBR900

Unit: mm (inches)

Angle	Dimensions				
	A	B	C	D	E
0°	525 (20 21/32)	150 (5 29/32)	67 (2 5/8)	400 (15 3/4)	58 (2 9/32)
5°	525 (20 21/32)	187 (7 3/8)	57 (2 1/4)	400 (15 3/4)	67 (2 5/8)
10°	525 (20 21/32)	223 (8 25/32)	44 (1 23/32)	400 (15 3/4)	75 (2 15/16)
15°	525 (20 21/32)	258 (10 3/32)	28 (1 3/32)	400 (15 3/4)	83 (3 9/32)
20°	525 (20 21/32)	291 (11 15/32)	9 (1 1/32)	400 (15 3/4)	90 (3 17/32)

**SONY**

**SU-PW1**

## To customers using the LCD Color TV

This Wall-Mount Bracket can also be used with the Sony KLV30XBR900 LCD Color TV. When attaching the unit, be sure to follow the supplementary instructions provided on the back of this page, as well as consulting the instructions given in the Instructions supplied with the SU-PW1 Wall-Mount Bracket.

The proper procedures must be followed when installing this unit. First, be sure to ask a Sony dealer or a qualified contractor to perform the work, ensuring that adequate attention is paid to safety and the proper procedures are followed during the installation.

### For Sony Dealers

Sufficient technical expertise is required to install an LCD Color TV, so be sure to consult these supplementary instructions and the Instructions while installing the product. Sony cannot assume responsibility for improper assembly or handling that lead to accidents or injury. Give a copy of the Instructions and a copy of these supplementary instructions to the customer after the installation is completed.

## On walls with sufficient strength

If this Wall-Mount Bracket is attached to walls that are not strong enough to support the weight, are not flat, or are not perpendicular to the floor surface, the unit may fall, and cause injury or damage. The wall must be strong enough to support at least four times the weight of the display to be attached. (KLV30XBR900: 20 kg (44 lb 1 oz) × 4 = 80 kg (176 lb 6 oz))

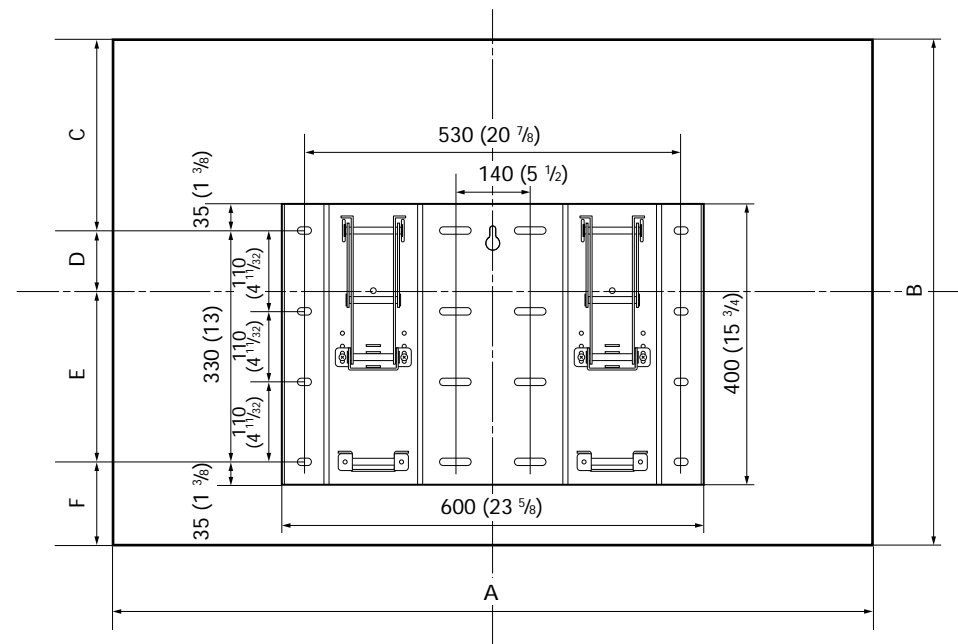
## Supplementary instructions for installing an LCD Color TV

During installation, follow the supplementary instructions given below, as well as those in the supplied Instructions, to ensure proper installation.

### Attaching the plate unit to the wall

(supplementary instruction for step 3)

When attaching an LCD Color TV display, the dimensions given in the diagram below are those required for proper installation. Referring to "Step 3: Install the Plate Unit on the wall" on page 8 (US) of the Instructions and the diagram below, decide on the location where the unit is to be installed.



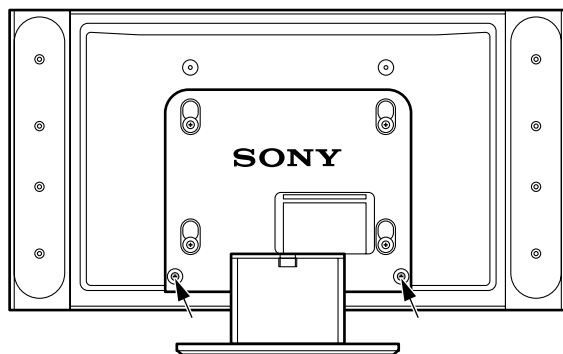
KLV30XBR900						Unit: mm (inches)
A	B	C	D	E	F	
972	525	102	155	175	93	
(38 9/32)	(20 21/32)	(4 1/32)	(6 3/32)	(6 7/8)	(3 21/32)	

### Attaching the KLV30XBR900 to the Wall-Mount Bracket

(supplementary instruction for step 4)

Perform the procedures outlined below to remove the display from the supplied stand before performing "Step 4: Install the Display Unit" on page 11 (US) of the Instructions.

1



Remove the two fixing screws at the bottom of the plate as shown in the diagram.

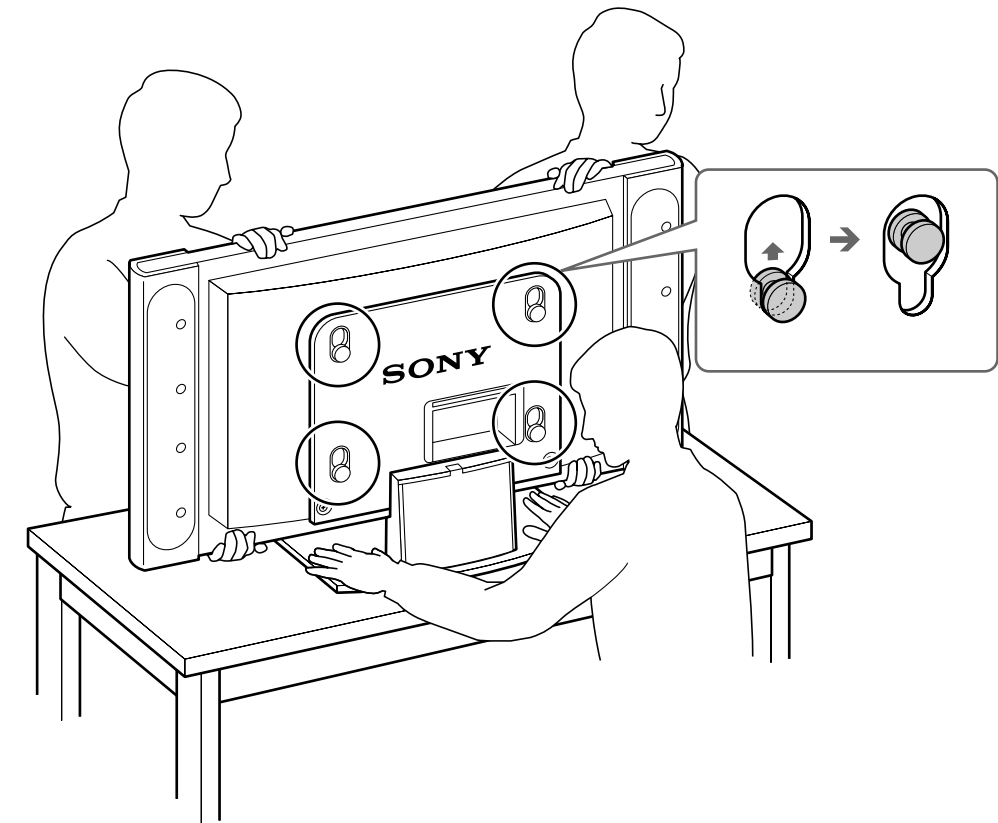
Save the screws for use later.

2

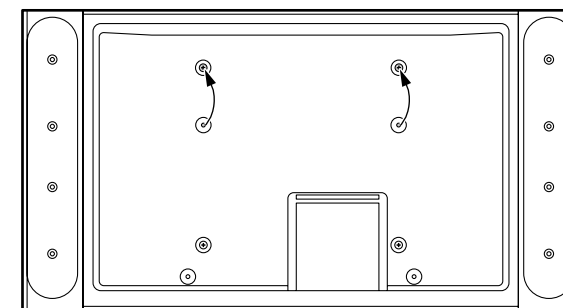
While one person holds the stand down firmly, two people should lift the display straight up to disengage the hooks (at four places) from the vertical plate of the stand.

**Note**

If the stand isn't held down while the display is being lifted, the stand will be raised along with the display, and this can be dangerous.



3



Remove the two fixing screws from the two lower holes near the upper portion of the Mounting Hook Unit, and then re-insert and tighten them in the two upper holes as shown in the diagram.

4

Following the instructions given in "Step 4: Install the Display Unit" on page 11 (US) of the Instructions, attach the display to the Wall-Mount Bracket.