

SONY

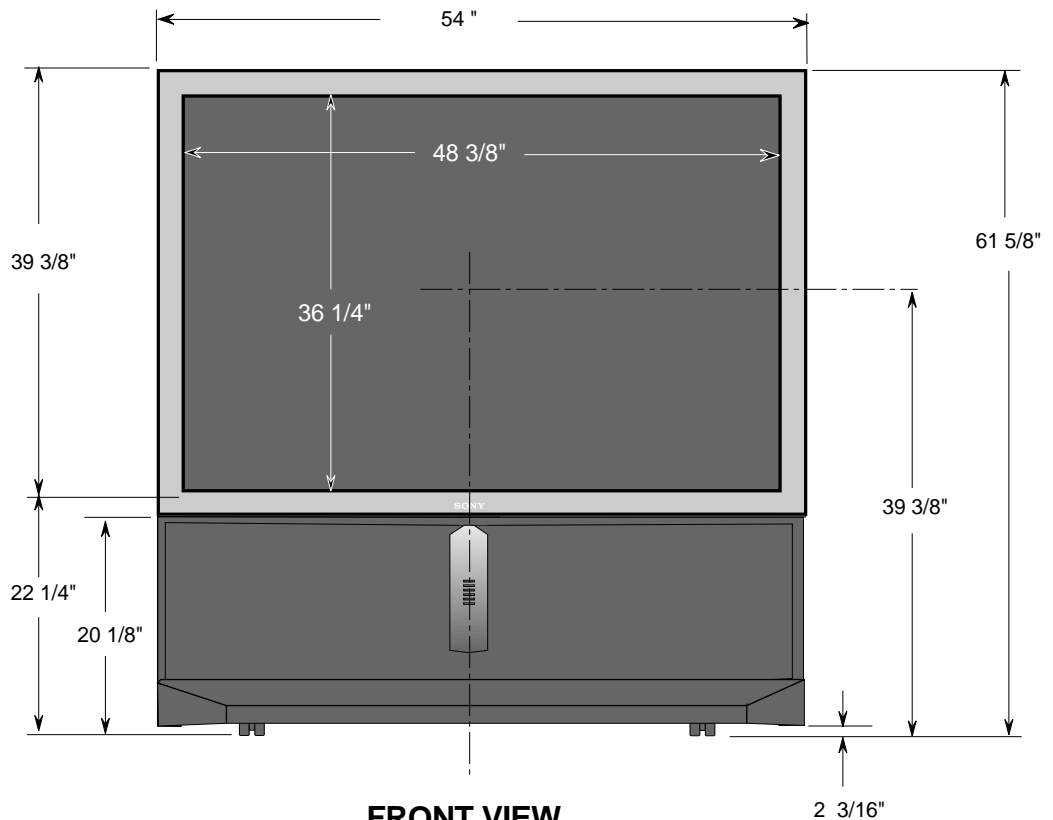
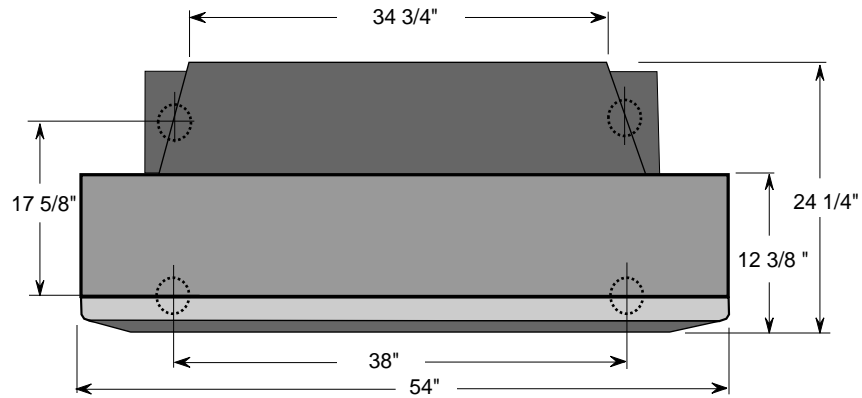
KP-61HS10

DESCRIPTION: 61" Projection TV
DIMENSIONS HD Capable
(WHD): 54" x 61 5/8" x 24 1/4"
WEIGHT: 225 lbs

POWER REQUIREMENTS: 120V AC
60Hz
POWER CONSUMPTION: 240 w max
1w stby

Not shown to scale!

TOP VIEW



FRONT VIEW

NOTE:
WHERE THERE ARE CLOSE TOLERANCES INVOLVED IN CABINET BUILDING OR APPLICATIONS WHICH REQUIRE A GREAT DEGREE OF PRECISION WE RECOMMEND THAT THE PRODUCT ITSELF BE USED TO MAKE THE ACTUAL MEASUREMENTS. SONY WILL NOT BE RESPONSIBLE FOR INACCURACIES IN THE DESIGN OR MANUFACTURE OF ENCLOSURES .